

# STADIUM SEAT

**EPS 15**





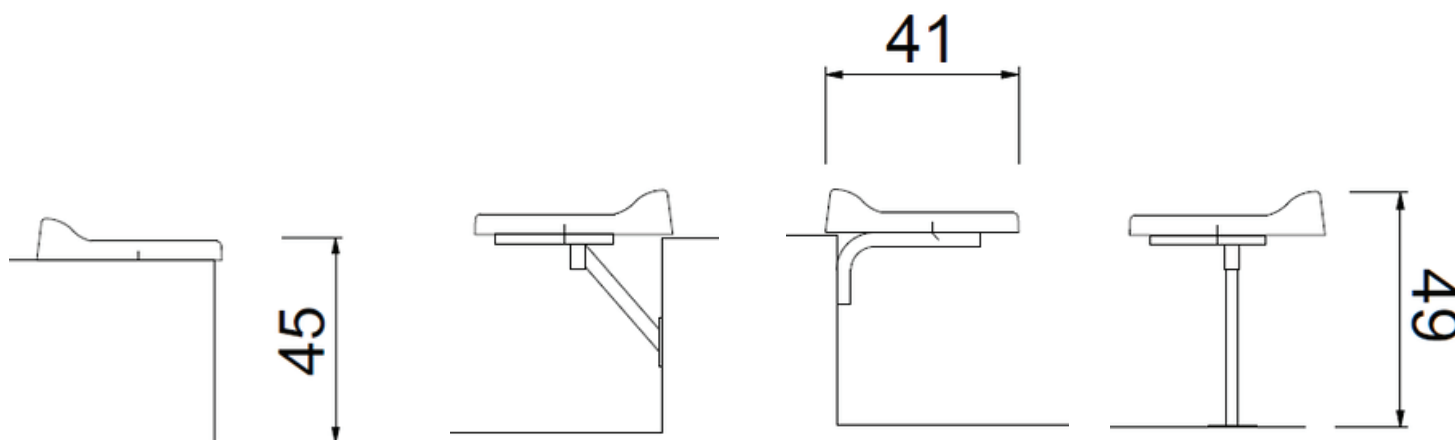
## DESIGNATION

sports facilities



EPS15 seat with a low backrest with a double wall, designed in accordance with the EN13200-4 standard. A simple budget solution available to every customer. Individual selection of the fastening system allows it to be used in any sports infrastructure project.

The structure of the EPS15 seat allows it to be attached directly to a concrete surface or via a steel system structure.



## COLOR

The seats are available in colors according to the RAL color palette, at the individual request of the customer.

